

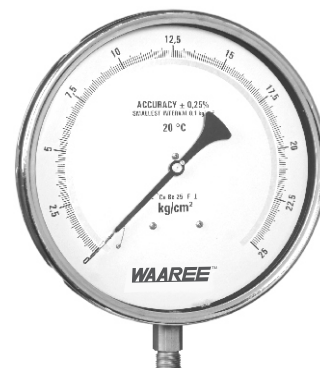


### SPECIAL FEATURES

- STAINLESS STEEL CASE & HIGH PRECISION MEASURING SYSTEM
- HIGH RESOLUTION DIAL
- ANTI PARALLAX MIRROR BAND (EYE FRIENDLY)
- SOCKET DIRECTLY WELDED TO CASE
- STANDARD FOLLOWED IN GENERAL EN 837-1
- CALIBRATION CERTIFICATE WITH TRACEABILITY TO NATIONAL / INTERNATIONAL STANDARDS.

### APPLICATIONS

CALIBRATION / TESTING IN LABORATORY, FITS FOR VARIOUS PROCESS INDUSTRIES AND ALL GASEOUS / LIQUID MEDIA THAT WILL NOT OBSTRUCT THE PRESSURE SYSTEM.



### SPECIFICATIONS

**STANDARD VERSION : 100mm, 150 mm, 200 mm & 250 mm**

<b>Accuracy</b>	: ±0.25% of F. S. (At +20 °C)
<b>Ambient temperature</b>	: Maximum 65°C
<b>Process temperature</b>	: Maximum 65°C
<b>Operating Pressure Range:</b>	75% of the Scale Value

<b>Case &amp; Bezel</b>	: AISI 304 SS (Bayonet Type)
<b>Bourdon</b>	: Beryllium Copper
<b>Socket</b>	: AISI 316L SS
<b>Movement</b>	: High Precision Jewel Bearing Type
<b>Integral Dampening Screw</b>	: AISI 316 SS

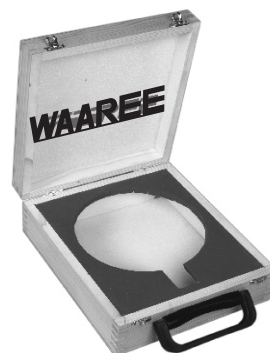
<b>Protection</b>	: IP 65
<b>Dial</b>	: Aluminum, Green with Black Marking & Anti Parallax Mirror Band
<b>Pointer</b>	: Balanced, Knife Edge Micrometer Adjustable
<b>Pointer Stopper</b>	: Spring Type
<b>Gasket</b>	: Neoprene
<b>Welding</b>	: Alloy Brazing
<b>Window</b>	: Shatter proof / Safety Glass
<b>Blow Off Disc</b>	: Neoprene
<b>Carrying Case</b>	: Wooden carrying case
<b>Calibration certificate</b>	: Calibration certificate traceable to National/ International standard.

#### Temperature effect:

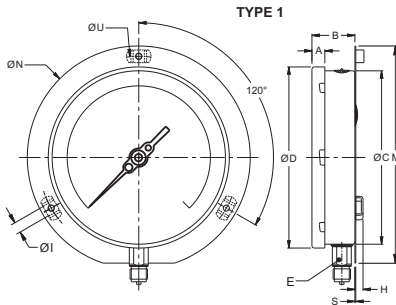
The variation of indication caused by effects of temperature is to be calculated by below formula; which is to be added in the specified accuracy while measurement :-

Formula :  $\pm 0.04 \times (t_2 - t_1) \%$  of F. S.

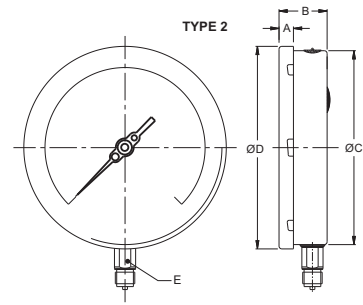
where  $t_1$  = reference temperature (+20°C) and  $t_2$  = ambient temperature in °C.



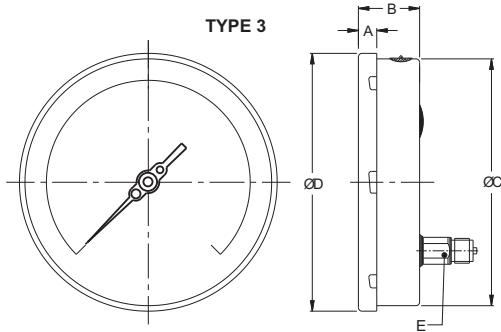
DIMENSIONS - STANDARD VERSION



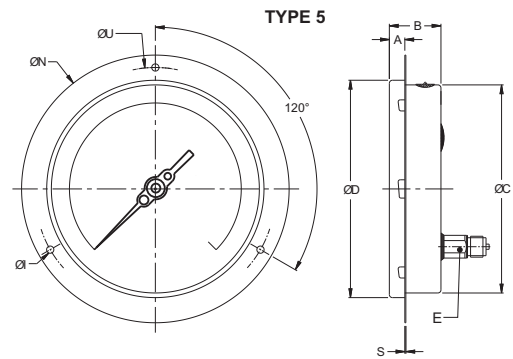
NS	A	B	ØC	ØD	E	M	ØN	ØU	H	ØI	S	Weight in gram (With Wooden Box)
100	12.5	45	100	111	22	128	134	118	14.5	6	6	720.0
150	15	46.5	149	161	22	174.5	186	168	14.5	6	6	1160.0
200	18	49	201.5	216.5	22	-	245	230	14.5	7	1.5	2050.0
250	18	52	250	263	22	286.5	290	276	14.5	7	1.5	2450.0



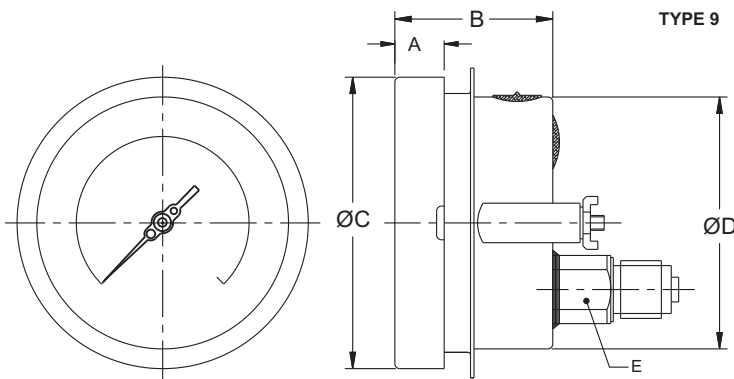
NS	A	B	ØC	ØD	E	Weight in gram (With Wooden Box)
100	12.5	47	100	111	22	640.0
150	15	49	149	161	22	1100.0
200	18	49	201.5	216.5	22	1975.0
250	18	52	250	263	22	2375.0



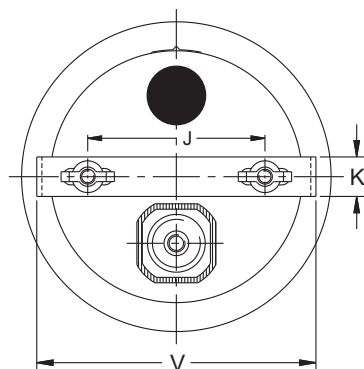
NS	A	B	ØC	ØD	E	Weight in gram (With Wooden Box)
100	12.5	47	100	111	22	935.0
150	15	49	149	161	22	1075.0
200	18	49	201.5	216.5	22	1950.0
250	18	52	250	263	22	2350.0



NS	A	B	ØC	ØD	E	ØN	ØU	ØI	S	Weight in gram (With Wooden Box)
100	12.5	47	111	100	22	134	118	6	1	695
150	15	49	149	161	22	186	168	6	5	1160.0
200	18	49	201.5	216.5	22	245	230	7	1.5	2030.0
250	18	52	250	263	22	290	276	7	1.5	2480.0



NS	A	B	ØC	ØD	E	J	K	V	Weight in gram (With Wooden Box)
100	12.5	47	111	100	22	72	16	108	740
150	15	49	161	149	22	106.5	16	166	1120.0
200	18	49	210.5	201.5	22	165	16	208	1950.0
250	18	52	263	250	22	180	30	270	2300.0



Notes : • Drawings are not to scale.

• All Dimensions are in mm.

• NS = Nominal Size.

**RANGE TABLE**

Note : Waaree offers National / International Scales like kPa, MPa, bar, psi, kg/cm<sup>2</sup> & Dual Scale like kPa with psi, kPa with bar, bar with psi or Equivalent scales as per the requirement can be provided on request. Following are the example tables for kg/cm<sup>2</sup> or bar

**PRESSURE RANGE**

SINGLE SCALE (kg/cm <sup>2</sup> or bar)				
0/0.6	0/4	0/25	0/160	0/1000
0/1	0/6	0/40	0/250	
0/1.6	0/10	0/60	0/400	
0/2.5	0/16	0/100	0/600	

DUAL SCALE (kg/cm <sup>2</sup> with psi)					
psi	kg/cm <sup>2</sup>	psi	kg/cm <sup>2</sup>	psi	kg/cm <sup>2</sup>
0/15	0/1	0/400	0/28	0/4000	0/280
0/30	0/2	0/500	0/35	0/5000	0/350
0/60	0/4	0/600	0/40	0/6000	0/420
0/100	0/7	0/1000	0/70	0/10000	0/700
0/150	0/10	0/1500	0/100	0/15000	0/1000
0/220	0/16	0/2200	0/160		
0/300	0/20	0/3000	0/200		

**VACUUM RANGE**

SINGLE SCALE (kg/cm <sup>2</sup> or bar)	(mmHg)
- 1/0	- 760/0

Note : Other Scale are available on customer request.

Please refer to factory.

Compound ranges are not preferred.

**ACCESSORIES (Refer Datasheet for complete specifications)**

ED OVER LOAD PROTECTOR (GAUGE SAVER)**
* NEEDLE VALVE

\* Refer catalogue for Valves & Manifolds. \*\* For Pressure Ranges.

**HOW TO ORDER****BASIC MODEL****CODE****NOMINAL SIZE**

F H I J

100 mm 150 mm 200 mm 250 mm

**TYPE OF MOUNTING**

1 WALL/ SURFACE/ PROJECTION MOUNTING WITH BOTTOM ENTRY	5 LOWER BACK ENTRY WITH FRONT FLANGE
2 DIRECT BOTTOM ENTRY	9 LOWER BACK ENTRY WITH MOUNTING BRACKET
3 DIRECT LOWER BACK ENTRY	

**GAUGE CONNECTION**

4BM ½" BSP (M) STANDARD 2NM 1/4" NPT (M) STANDARD 4NM ½" NPT (M) STANDARD

Note : Female Gauge Connections are available on request.

**RANGE**

REFER RANGE TABLE

**OPTIONAL EXTRAS**

RH CUSTOM DESIGNED DIAL	TB HELIUM LEAK TEST
SW DIAL TAG MARKING	RW PLEXI GLASS
SX SS TAG PLATE	

Ordering Example: AR - X - X - XXX - 0/10 kg/cm<sup>2</sup> - XX

FOR OTHER OPTIONAL ITEMS, PLEASE CONTACT FACTORY FOR DELIVERY AND MINIMUM QUANTITY OF ORDER.

Note : Specifications and dimensions given in this product catalogue represents the state of engineering at the time of printing.

Modifications may take place and materials specified may be replaced by others without prior notice.

Example

AR

X

X

XXX

0/10  
kg/cm<sup>2</sup>

XX